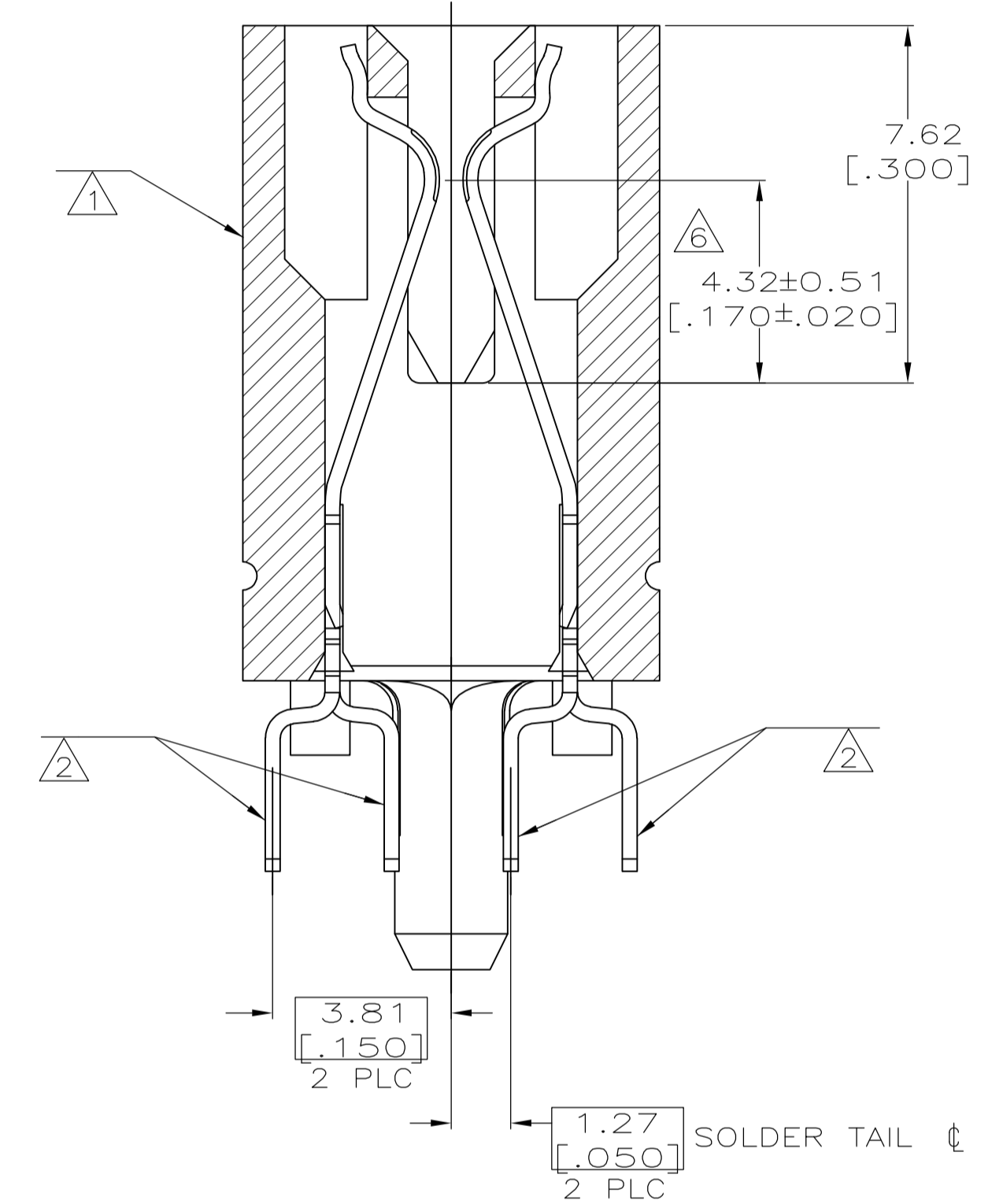
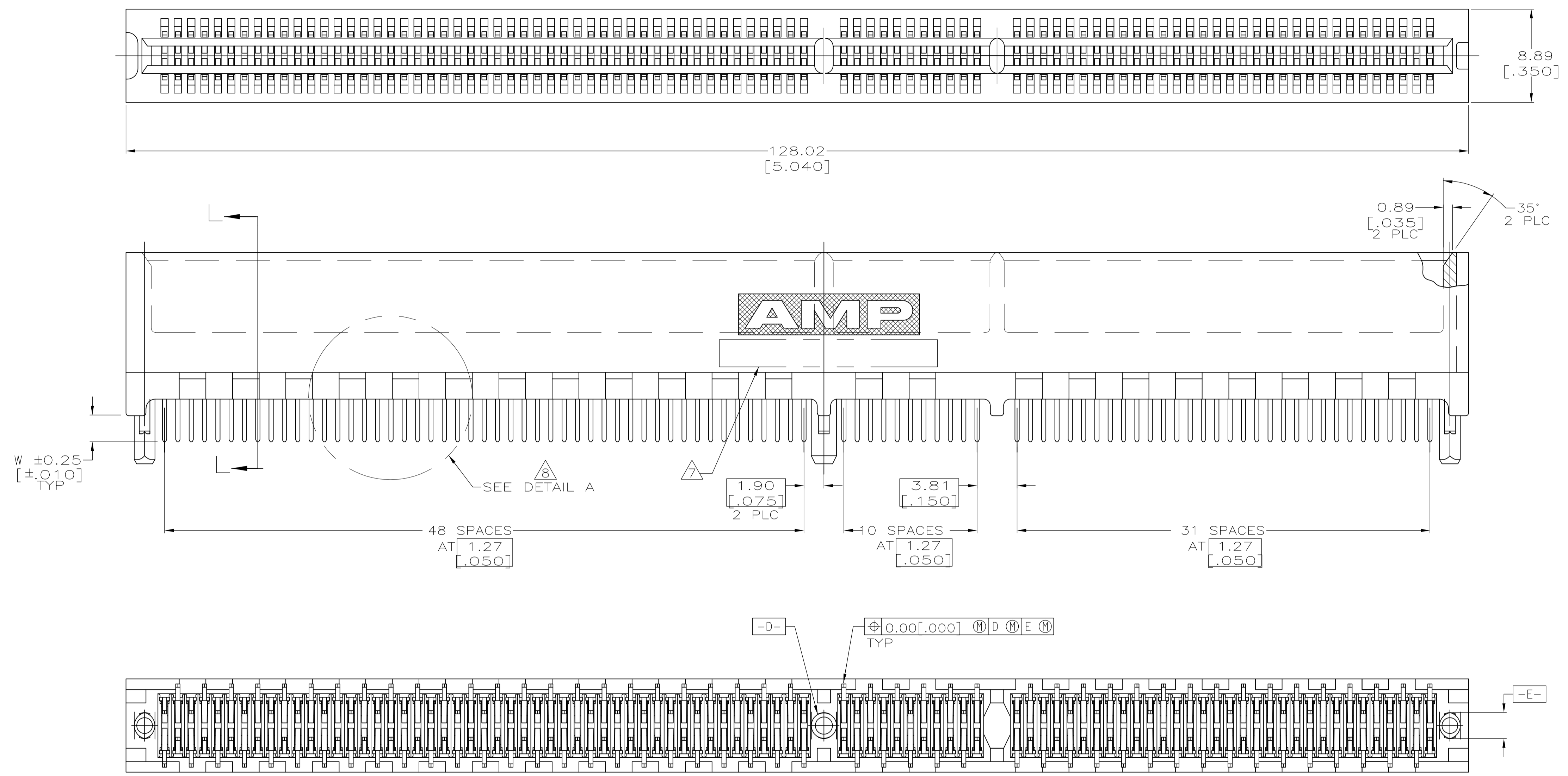
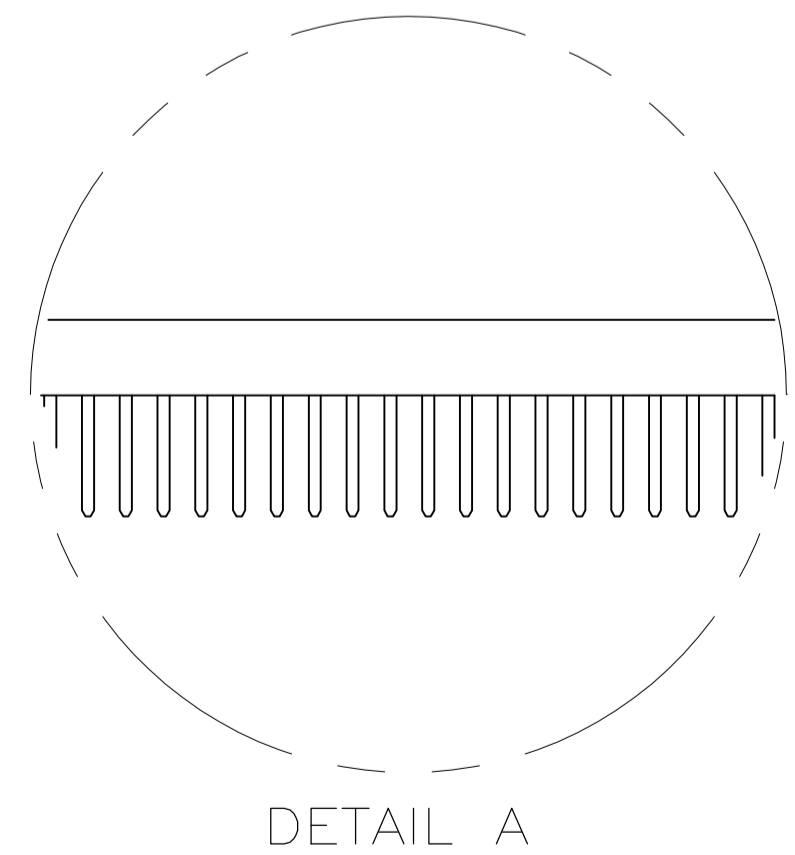


| LOC | | DIST | | REVISIONS | | | |
|-----|----|------|-----|------------------------------|-----------|-----|------|
| GP | 00 | F | LTR | DESCRIPTION | DATE | DMN | APVD |
| | | 0 | | RELEASED PER EC 0512-0287-04 | 23 JUN 05 | AWF | AWF |
| | | 01 | | REVISED PER ECO-10-000444 | 19JAN10 | KK | HMR |



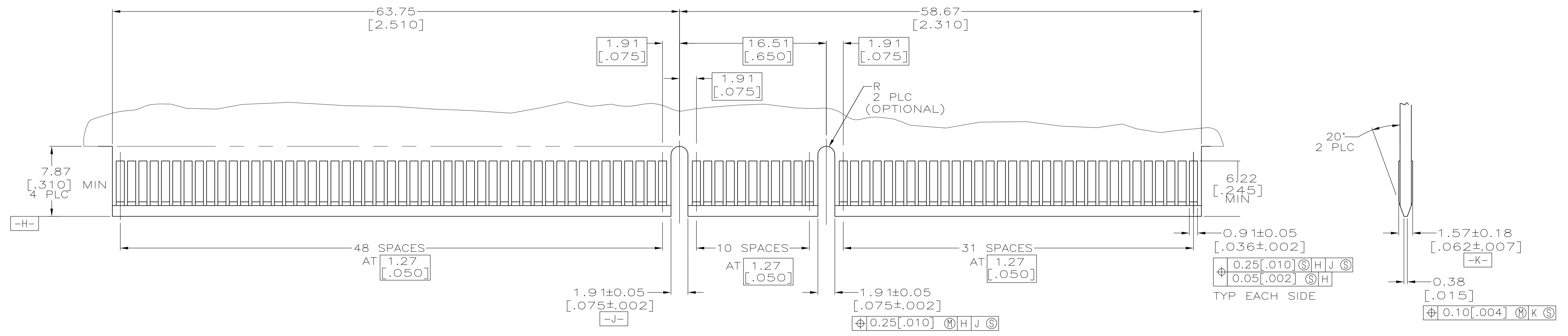
SEE SHEET 2 FOR HOLE PATTERN

- ① HOUSING: HIGH TEMPERATURE THERMOPLASTIC. COLOR - NATURAL
- ② CONTACT: PHOSPHOR BRONZE.
- ③ CONTACT FINISH: .001269 [.000050] MIN NICKEL ALL OVER. GOLD FLASH OVER NICKEL IN CONTACT AREA. .002537 [.000100] MIN MATTE TIN OVER NICKEL ON SOLDER TAILS.
- ④ CONTACT FINISH: .001269 [.000050] MIN NICKEL ALL OVER. .000375 [.000015] MIN GOLD OVER NICKEL IN CONTACT AREA. .002537 [.000100] MIN MATTE TIN OVER NICKEL ON SOLDER TAILS.
- ⑤ CONTACT FINISH: .001269 [.000050] MIN NICKEL ALL OVER. .000757 [.000030] MIN GOLD OVER NICKEL IN CONTACT AREA. .002537 [.000100] MIN MATTE TIN OVER NICKEL ON SOLDER TAILS.
- ⑥ DISTANCE FROM CONTACT POINT TO BOTTOM OF CARD SLOT.
- ⑦ AMP PART NUMBER, DATE CODE AND CSA LOGO MARKED IN APPROXIMATE LOCATION SHOWN.
- ⑧ CORED OR SOLID SIDE WALLS ARE AT DISCRETION OF AMP INCORPORATED.
- ⑨ OBSOLETE PARTS: OBSOLETE CIS STREAMLINING PER D.RENAUD/D.SINISI

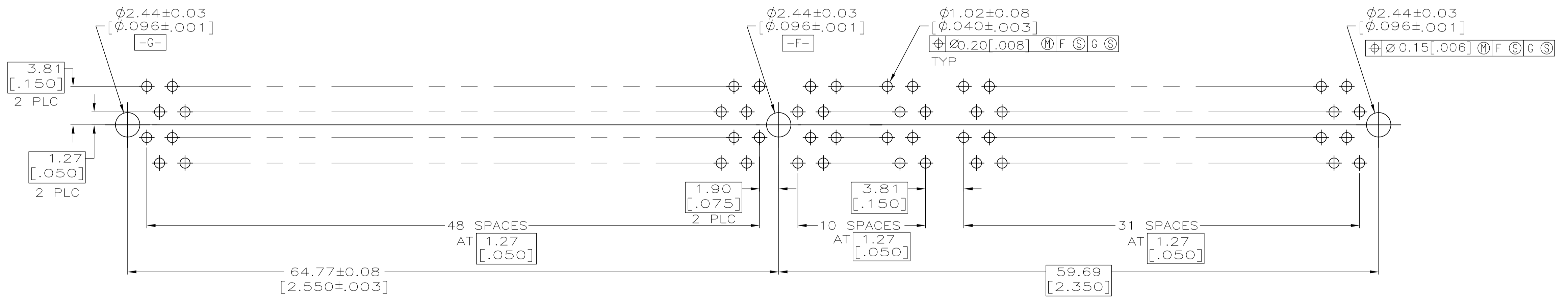


| | | |
|----------------------|---|-------------|
| 3.56 [.140] | ① | 1-5145166-2 |
| 3.18 [.125] | ② | 5145166-8 |
| 2.54 [.100] | ③ | 5145166-4 |
| OBSOLETE 2.54 [.100] | ④ | 5145166-2 |
| OBSOLETE 2.54 [.100] | ⑤ | 5145166-1 |

| | | | |
|----------------------------------------|--|--------------------------|-----------------------------------------------------------|
| THIS DRAWING IS A CONTROLLED DOCUMENT. | | DMN AL FRANTUM 23 JUN 05 | Tyco Electronics Corporation Harrisburg, Pa 17105-3608 |
| DIMENSIONS: mm [INCHES] | | CHK AL FRANTUM 23 JUN 05 | |
| TOLERANCES UNLESS OTHERWISE SPECIFIED: | | APVD | NAME |
| 0 PLC ± - | | PRODUCT SPEC | CONNECTOR ASSEMBLY, |
| 1 PLC ± - | | APPLICATION SPEC | 92 DUAL POSITION, |
| 2 PLC ± 0.25 [.01] | | SIZE | 1.27 [.050] SERIES, |
| 3 PLC ± 0.125 [.005] | | WEIGHT | RESTRICTED TO |
| 4 PLC ± - | | 114-26012 | A1 00779 C=5145166 |
| ANGLES ± ± | | CUSTOMER DRAWING | SCALE 4:1 SHEET 1 OF 2 REV 01 |



RECOMMENDED MATING BOARD EDGE CONFIGURATION



RECOMMENDED CONNECTOR MOUNTING HOLE PATTERN
(CONNECTOR SIDE SHOWN)

| | | | |
|----------------------------------------|----------------------------------------|---------------------------|-----------------------------------------------------------|
| THIS DRAWING IS A CONTROLLED DOCUMENT. | | DN: AL FRANTUM 23 JUN 05 | Tyco Electronics Corporation Harrisburg, Pa 17105-3608 |
| | | CHK: AL FRANTUM 23 JUN 05 | |
| DIMENSIONS: | TOLERANCES UNLESS OTHERWISE SPECIFIED: | APVD: | NAME: |
| mm [INCHES] | 0 PLC ± - | PRODUCT SPEC: | CONNECTOR ASSEMBLY, |
| | 1 PLC ± - | 108-14034 | 92 DUAL POSITION, |
| | 2 PLC ± 0.25 [.01] | APPLICATION SPEC: | 1.27 [.050] SERIES, |
| | 3 PLC ± 0.125 [.005] | 114-26012 | |
| | 4 PLC ± ± ± | WEIGHT: - | RESTRICTED TO: |
| | ANGLES ± ± ± | A1 00779 C=5145166 | |
| MATERIAL: SEE SHEET 1 | FINISH: SEE SHEET 1 | CUSTOMER DRAWING | SCALE: 4:1 SHEET 2 OF 2 REV 01 |